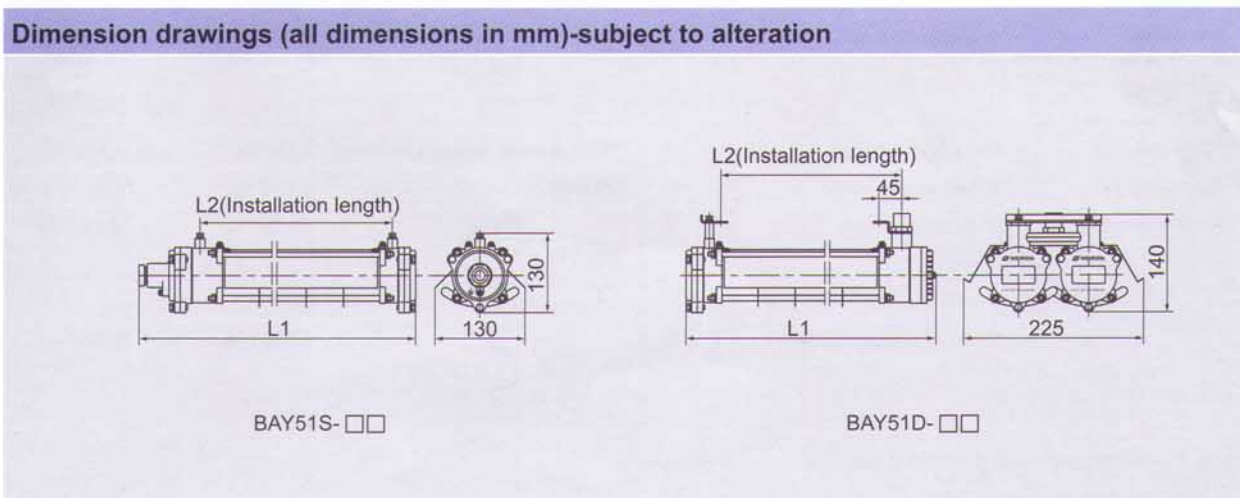


Light Fittings For Fluorescent Lamps BAY51 Explosion-proof Light Fittings For Fluorescent Lamp

Technical Data	
Explosion-proof Light Fittings For Fluorescent Lamp BAY51 □ - □ □	
Explosion protection Gas explosion protection	⊕ II 2G Exd II CT6
Certificates For gas explosion protection	PCEC (China)
Conformity to standards	IEC 60079-0:2004; IEC 60079-1:2003
Material	
Housing	Aluminum alloy, powder-coated, yellow
Ballast	Choke ballast (electronic ballast option)
Lighting effect	White reflector improves luminosity; outside lamp tube is stainless steel barrier for protection, lessening dizzy light.
Lamps	
Lamp	PHILIPS T8 (supplied with light fittings)
Wattage (W)	18 x 1 18 x 2 36 x 1 36 x 2
Rated voltage	AC 220V 50Hz (option)
Earthing protection	M5 (earthing bolt inside and outside light fittings)
Degree of protection	IP65
Ambient temperature	-20°C ~ +55°C
Connection	Terminals 3 x 1.5~2.5mm ² (L+N+PE)
Hub	G3/4"
Cable gland	See installation accessories and spare parts table
Available cable outer diameter	ø10~ø14 (mm)

Dimension					
Type	Size (mm)		Type	Size (mm)	
	L1	L2		L1	L2
BAY51S-18 □	885	744	BAY51D-36 □	865	765
BAY51S-36 □	1470	1354	BAY51D-72 □	1470	1375

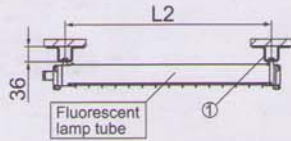


Light Fittings For Fluorescent Lamps BAY51 Explosion-proof Light Fittings For Fluorescent Lamp

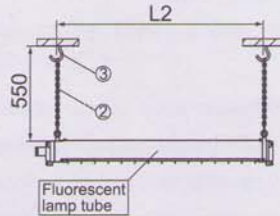
Mounting versions for light fittings with single lamp tube

As a reference to the installation on the site

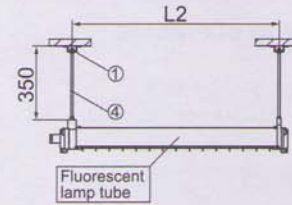
X: ceiling mounting



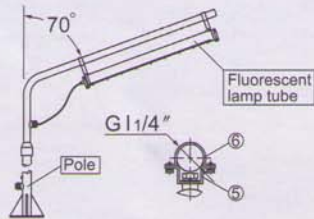
D: pendant chain mounting



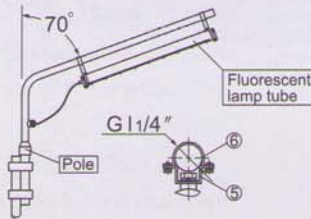
G: pendant pole mounting



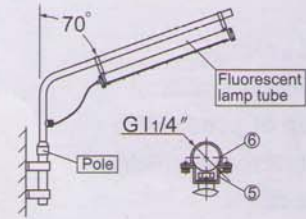
L: pole mounting (the pole is not supplied with the light fittings, recommended height is 2500mm)



Usable for ground pole mounting



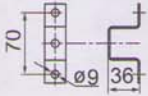
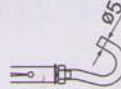
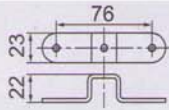
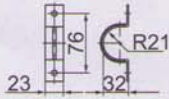
Usable for fence pole mounting



Usable for wall pole mounting

Installation accessories and spare parts table

supplied according to the mounting version

Mounting version	Accessories supplied with the light fittings			Ordering code	Weight
	Accessories fittings	Qty	Remark		
X: ceiling mounting	①.Ceiling bracket	2		51S01X1	0.050 kg
D: pendant chain mounting	②.Chain	2	500mm	5136016	0.133 kg
	③.Expansion bolt	2		51017	0.060 kg
G: pendant pole mounting	①.Ceiling bracket	2	The same as ceiling mounting	51S01X1	0.050 kg
	④.M8 screw	2	350mm	51S01G2	0.130 kg
L: pole mounting	⑤.Mounting plate (1)	2		5136012	0.060 kg
	⑥.G1 1/4" pipe clamp	2		5136014	0.057 kg

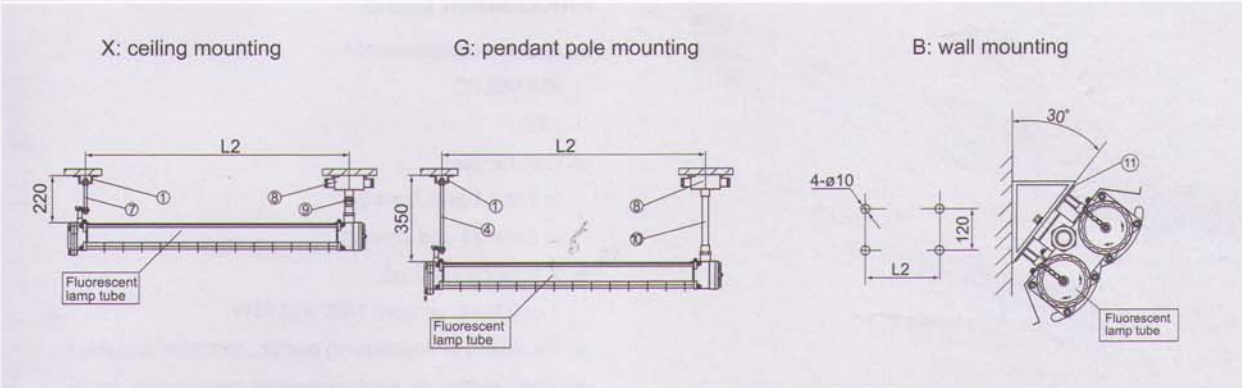
Note: 1. Accessories not in the table should be supplied by user.

2. The quantity in the table is for one set of light fittings.

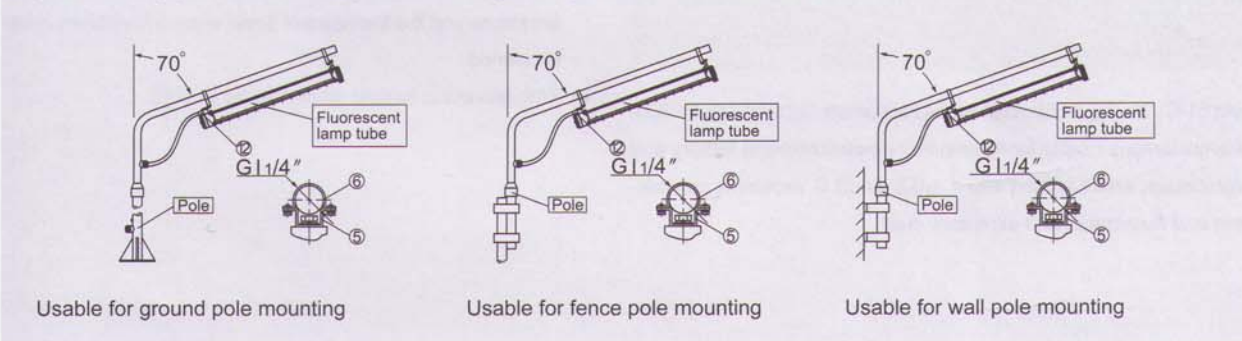
Light Fittings For Fluorescent Lamps BAY51 Explosion-proof Light Fittings For Fluorescent Lamp

Mounting versions for light fittings with dual lamp tube

As a reference to the installation on the site



L: pole mounting (the pole is not supplied with the light fittings, recommended height is 2500mm)



Installation accessories and spare parts table

supplied according to the mounting version

Mounting version	Accessories supplied with the light fittings			Ordering code	Weight
	Accessories fittings	Qty	Remark		
X: ceiling mounting	①.Ceiling bracket	1	The same as single lamp	51S01X1	0.050 kg
	⑦.M8 bolt	1	200mm	51D01X1	0.080 kg
	⑧ .BHD explosion-proof pendant light Junction box	1	G3/4" (Exe)	51D01X2	0.656 kg
	⑩ .BGJ-III explosion-proof flexible coupling	1	G3/4"two male thread	See page7/8	0.300 kg
G: pendant pole mounting	①.Ceiling bracket	1	The same as ceiling mounting	51S01X1	0.050 kg
	④.M8 bolt	1	The same as single lamp	51S01G2	0.130 kg
	⑧ .BHD explosion-proof pendant light Junction box	1	G3/4" (Exe)	51D01X2	0.656 kg
	⑩ .Straight pipe (G3/4")	1	300mm	51D01G1	0.500 kg
B: wall mounting	⑪ .Wall bracket		Sheet steel welded	5136B01	0.650 kg
L: pole mounting	⑤ .Mounting plate (1)	2	The same as single lamp	5136012	0.060 kg
	⑥ .G1 1/4"pipe clamp	2	The same as single lamp	5136014	0.057 kg
	⑫ .DQM-II explosion-proof cable gland	1	M25 x 1.5	See page7/20	0.230 kg

Note: 1. Accessories not in the table should be supplied by user.

2. The quantity in the table is for one set of light fittings.