



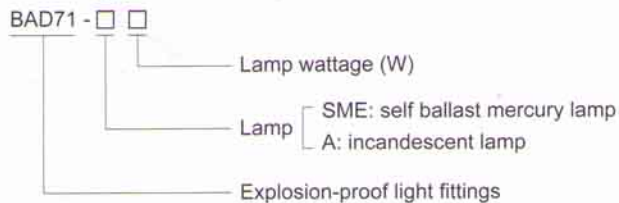
BAD71-□□ Series

Explosion-proof Light Fittings

- ◆ Explosion protection to
 - CENELEC
 - IEC
- ◆ Can be used
 - in Zone 1 and Zone 2
 - in Zone 21 and Zone 22
- ◆ Max power is equipped 500W lamp
- ◆ Equipped lamp: self ballast mercury lamp, incandescent lamp.
- ◆ Independent connection box, side open for connection, simple installation and maintenance.
- ◆ 250 and 400 versions
- ◆ Possible to supply external reflector, enlarging the luminous intensity.

BAD71-□□ series explosion-proof light fittings is usable for lighting in the petrochemical factory, where is filled with II A, II B, IIC explosive gas mixture and flammable and explosive dust.

■ Catalogue number logic



■ Lamp selection table

Enclosure	Wattage (W)	
	Self ballast mercury lamp	Incandescent lamp
BAD71-250	160, 250	200, 300
BAD71-400	500	500

■ Ordering note

1. Specify all data at request of "catalogue number logic".
2. Select the accessories in "accessories table" or order at the guide of "ordering code".
3. The light fittings are supplied without external reflector, if required, please specify as the ordering code in "accessories table".

Zones 1&2 ; 21&22

Technical Data

Explosion-proof light fittings of induction lamp **BAD71-250**

Explosion protection

- Gas explosion protection
- Dust explosion protection

Certificates

- For gas explosion protection
- For dust explosion protection

Conformity to standards

Material

- Housing
- Transparent cover
- Reflector

Lamps

Rated voltage

Earthing protection

Degree of protection

Ambient temperature

Connection

Hub

Cable gland

Available cable outer diameter

Note

Weight

Ⓔ II 2G Exde II CT3
Ex tD A21 IP65 T200°C

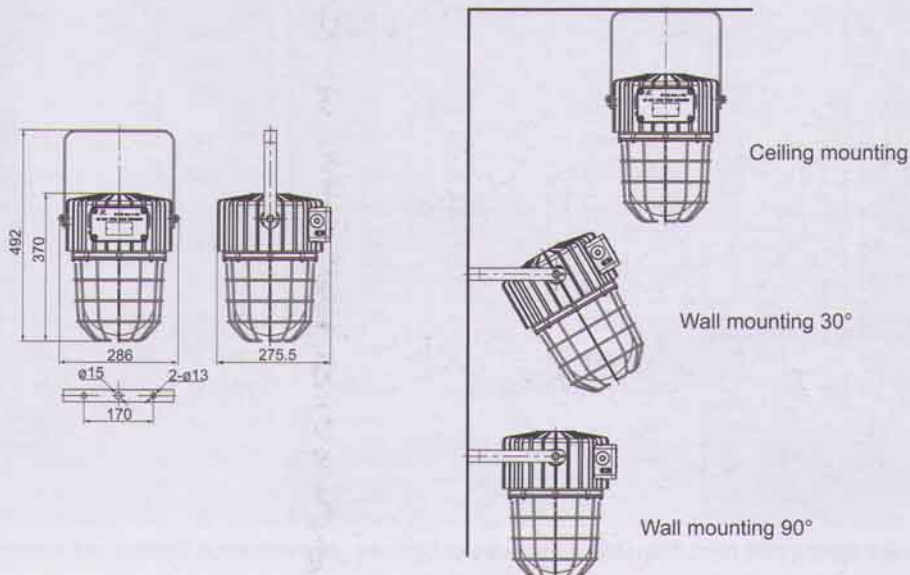
LCIE 08 ATEX____
PCEC (China)
EN 60079-0:2004; EN 60079-1:2004; EN 60079-7:2003;
IEC 60079-0:2004; IEC 60079-1:2003; IEC 60079-7:2001
IEC 61241-0:2004 ; IEC 61241-1:2004

Aluminum alloy, powder-coated, yellow
Toughened glass
Pure aluminum

Available lamp	Wattage	Lamp holder
SME	160W/250W	E27/E40
A	200W/300W	E27/E40

AC 230V 50Hz(207 ~ 253V)
M5 (earthing bolt inside and outside the light fittings)
IP65
-20°C ~ +55°C
Terminals 3 x 1.5 ~ 2.5mm² (L+N+PE)
2-M25 x 1.5
With seal stopping plug, explosion-proof cable gland is required when put into use, DQM-I (WAROM ordering code in P7/17)
ø10 ~ ø14 (mm)
The light fittings are supplied without lamp.
9.25kg

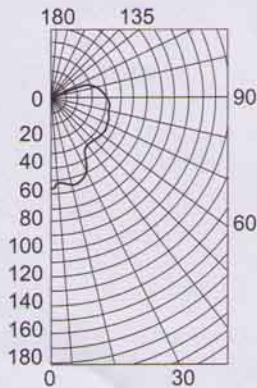
Mounting versions



Photometric Data (BAD71-250)



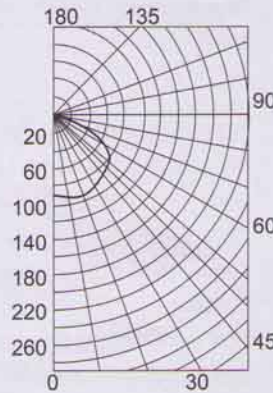
250W self ballast mercury lamp photometric data
 Rated luminous flux: 5500lm;
 The data from PHILIPS lamp;
 Luminous intensity distribution cd/1000lm
 (lighting efficiency: 74.8%)



For a 160W self ballast mercury lamp multiply by 0.64
 For a 200W incandescent lamp multiply by 0.36
 For a 300W incandescent lamp multiply by 0.73



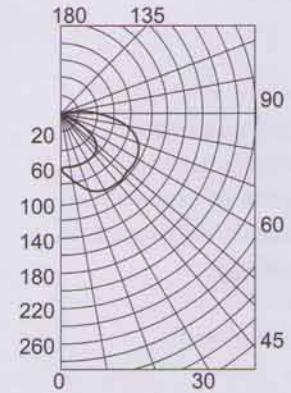
250W self ballast mercury lamp photometric data
 Rated luminous flux: 5500lm;
 The data from PHILIPS lamp;
 Luminous intensity distribution cd/1000lm
 (lighting efficiency: 54.6%)



For a 160W self ballast mercury lamp multiply by 0.64
 For a 200W incandescent lamp multiply by 0.36
 For a 300W incandescent lamp multiply by 0.73



250W self ballast mercury lamp photometric data
 Rated luminous flux: 5500lm;
 The data from PHILIPS lamp;
 Luminous intensity distribution cd/1000lm
 (lighting efficiency: 56.7%)



For a 160W self ballast mercury lamp multiply by 0.64
 For a 200W incandescent lamp multiply by 0.36
 For a 300W incandescent lamp multiply by 0.73

Angle	CP	Angle	CP	Angle	CP
0	630	60	619	120	44
5	679	65	659	125	30
10	481	70	618	130	22
15	394	75	594	135	18
20	288	80	581	140	15
25	334	85	659	145	0
30	389	90	646	150	0
35	346	95	635	155	0
40	479	100	619	160	0
45	490	105	597	165	0
50	507	110	481	170	0
55	484	115	257	175	0
				180	0

Angle	CP	Angle	CP	Angle	CP
0	930	60	685	120	3
5	942	65	520	125	0
10	967	70	340	130	0
15	985	75	197	135	0
20	990	80	94	140	0
25	976	85	38	145	0
30	950	90	12	150	0
35	925	95	38	155	0
40	899	100	23	160	0
45	874	105	42	165	0
50	845	110	26	170	0
55	795	115	8	175	0
				180	0

0° reflecting angle CP			90° reflecting angle CP				
0	807	95	382	0	807	95	0
5	874	105	0	5	770	105	0
15	942	115	0	15	828	115	0
25	947	125	0	25	851	125	0
35	970	135	0	35	797	135	0
45	993	145	0	45	960	145	0
55	953	155	0	55	639	155	0
65	924	165	0	65	0	165	0
75	827	175	0	75	0	175	0
85	717	180	0	85	0	180	0
90	516			90	0		

All lighting designs and lighting data come from DIALUX software of Germany upon stimulated situation and working conditions.

Technical Data

Explosion-proof light fittings

BAD71-400

Explosion protection

- Gas explosion protection
- Dust explosion protection

Ex II 2G Exde II CT3
Ex tD A21 IP65 T200°C

Certificates

- For gas explosion protection
- For dust explosion protection

LCIE 08 ATEX _____
PCEC (China)

Conformity to standards

EN 60079-0:2004; EN 60079-1:2004; EN 60079-7:2003;
IEC 60079-0:2004; IEC 60079-1:2003; IEC 60079-7:2001
IEC 61241-0:2004; IEC 61241-1:2004

Material

- Housing
- Transparent cover
- Reflector

Aluminum alloy, powder-coated, yellow
Toughened glass
Pure aluminum

Lamps

Available lamp	Wattage	Lamp holder
SME	500W	E40
A	500W	E40

Rated voltage

AC 230V 50Hz (207V~253V)

Earthing protection

M5 (earthing bolt inside and outside the light fittings)

Degree of protection

IP65

Ambient temperature

-20°C ~ +55°C

Connection

Terminals 3 x 1.5~2.5mm² (L+N+PE)

Hub

2-M25 x 1.5

Cable gland

With seal stopping plug, explosion-proof cable gland is required when put into use, DQM-I (WAROM ordering code in P7/17)

Available cable outer diameter

ø10~ø14 (mm)

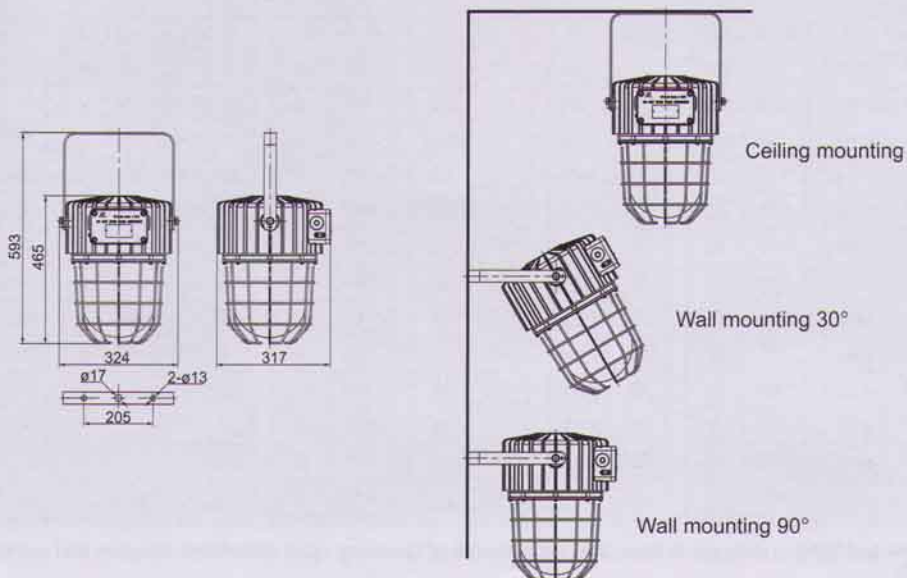
Note

The light fittings are supplied without lamp.

Weight

14.8kg

Mounting versions

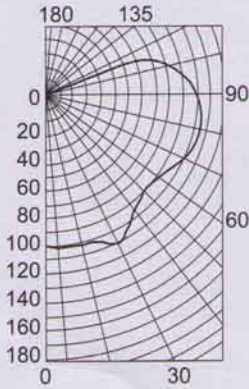


Pendant Light Fittings BAD71 Explosion-proof Light Fittings

Photometric Data (BAD71-400)



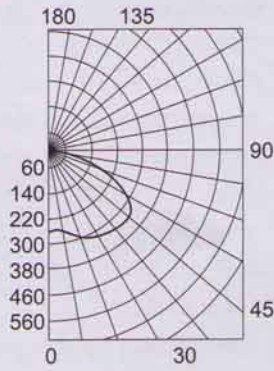
500W self ballast mercury lamp photometric data
 Rated luminous flux: 13000lm;
 The data from PHILIPS lamp;
 Luminous intensity distribution cd/1000lm
 (lighting efficiency: 75.3%)



For a 500W incandescent lamp multiply by 0.57



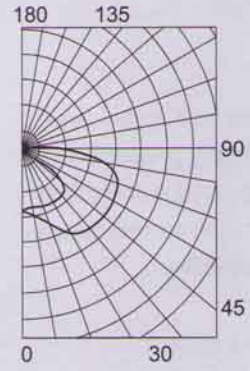
500W self ballast mercury lamp photometric data
 Rated luminous flux: 13000lm;
 The data from PHILIPS lamp;
 Luminous intensity distribution cd/1000lm
 (lighting efficiency: 66.7%)



For a 500W incandescent lamp multiply by 0.57



500W self ballast mercury lamp photometric data
 Rated luminous flux: 13000lm;
 The data from PHILIPS lamp;
 Luminous intensity distribution cd/1000lm
 (lighting efficiency: 57.3%)



For a 500W incandescent lamp multiply by 0.57

Angle	CP
0	745
5	730
10	794
15	867
20	912
25	941
30	965
35	1001
40	1047
45	1085
50	1115
55	1142

Angle	CP
60	1170
65	1189
70	1200
75	1208
80	1202
85	1192
90	1185
95	1158
100	1087
105	972
110	829
115	665

Angle	CP
120	469
125	286
130	133
135	0
140	0
145	0
150	0
155	0
160	0
165	0
170	0
175	0
180	0

Angle	CP
0	2324
5	2354
10	2413
15	2462
20	2470
25	2443
30	2321
35	2311
40	2248
45	2185
50	2117
55	2987





Angle	CP
60	1710
65	1310
70	1299
75	456
80	235
85	95
90	32
95	37
100	58
105	70
110	65
115	64

Angle	CP
120	20
125	4
130	0
135	0
140	0
145	0
150	0
155	0
160	0
165	0
170	0
175	0
180	0

0° reflecting angle CP		
0	2018	95 950
5	2185	105 0
15	2941	115 0
25	3150	125 0
35	3348	135 0
45	3206	145 0
55	3185	155 0
65	3084	165 0
75	2790	175 0
85	1792	180 0
90	1280	

90° reflecting angle CP		
0	2016	95 0
5	2185	105 0
15	2075	115 0
25	2127	125 0
35	1978	135 0
45	1794	145 0
55	1590	155 0
65	0	165 0
75	0	175 0
85	0	180 0
90	0	

All lighting designs and lighting data come from DIALUX software of Germany upon stimulated situation and working conditions.

Accessories and spare parts			
Picture	Description	Ordering code	Weight
	250 type wire guard	271001	0.65 kg
	400 type wire guard	271002	0.87 kg
	250 type glass cover fittings	271003	2.65 kg
	400 type glass cover fittings	271004	4.80 kg
	250 type external reflector	271005	0.37 kg
	400 type external reflector	271006	0.52 kg
	250 type angle external reflector	271007	0.35 kg
	400 type angle external reflector	271008	0.49 kg

www.explosion-proof-light.com